

TS 500 NV
TS 500 N-EN 3



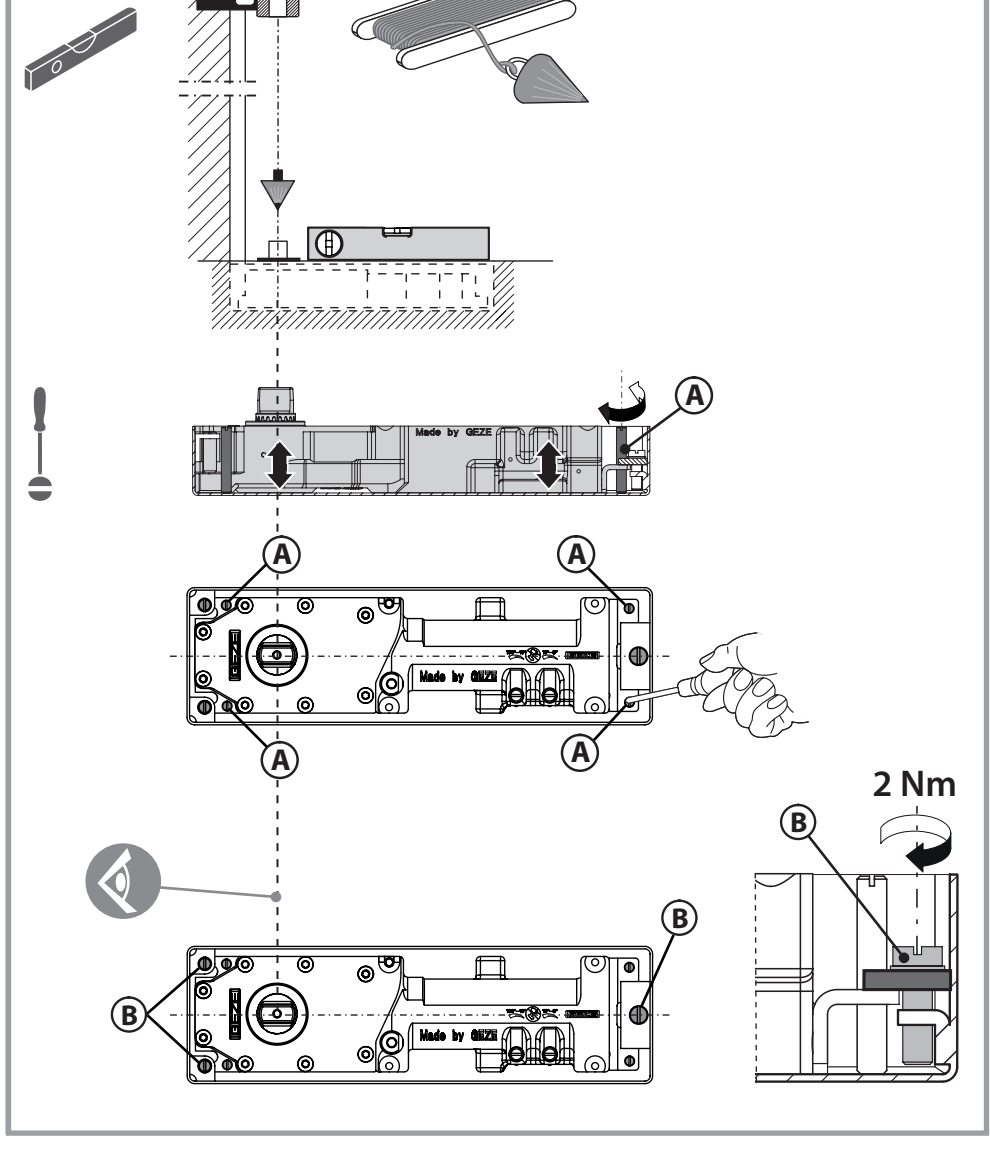
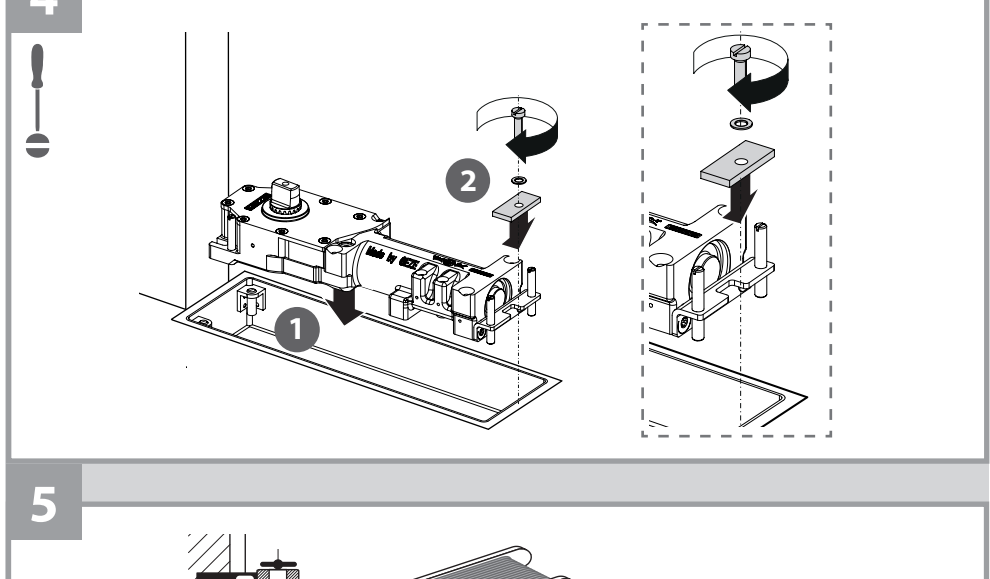
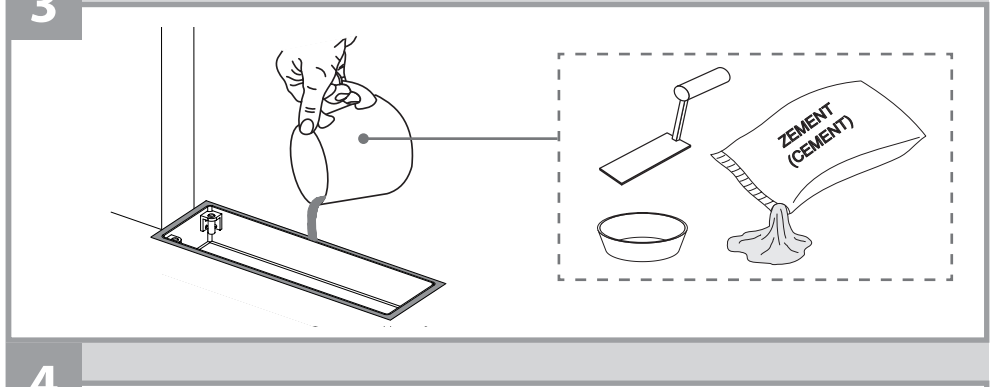
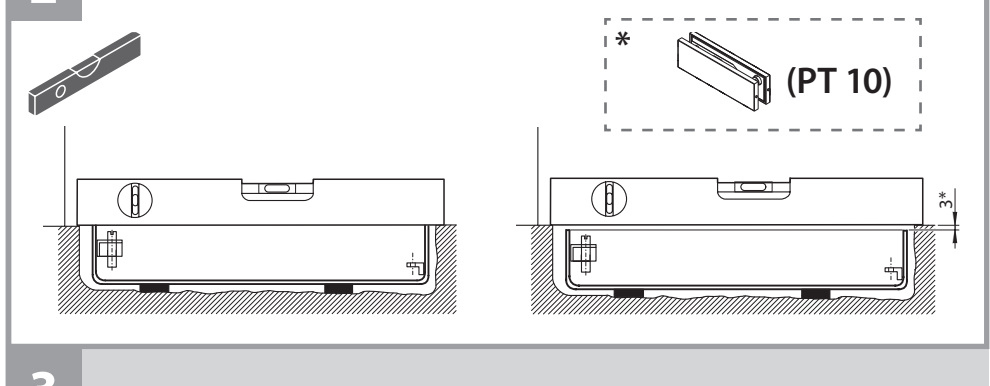
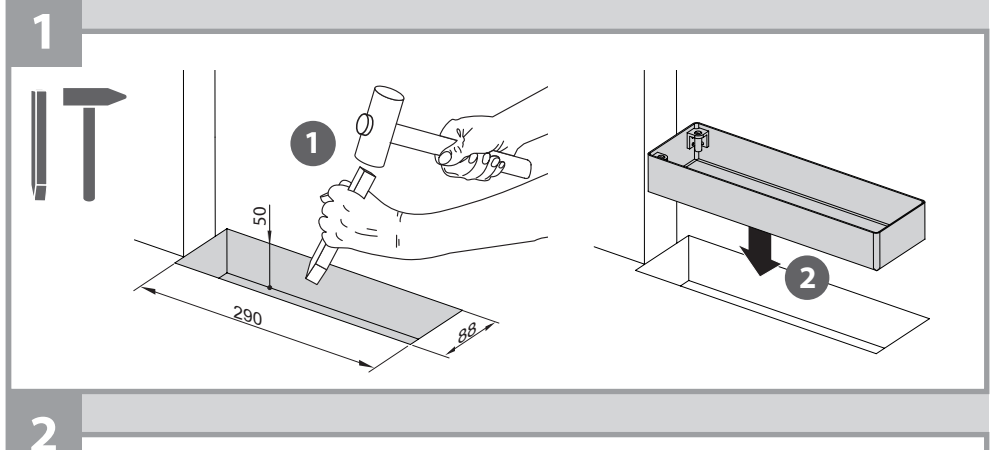
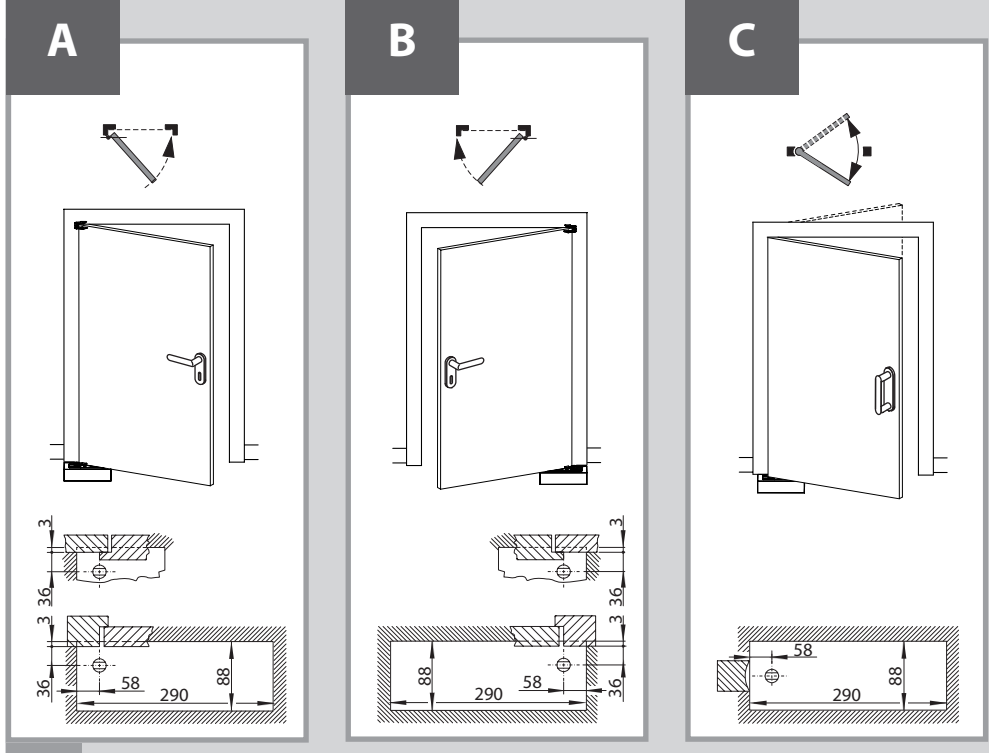
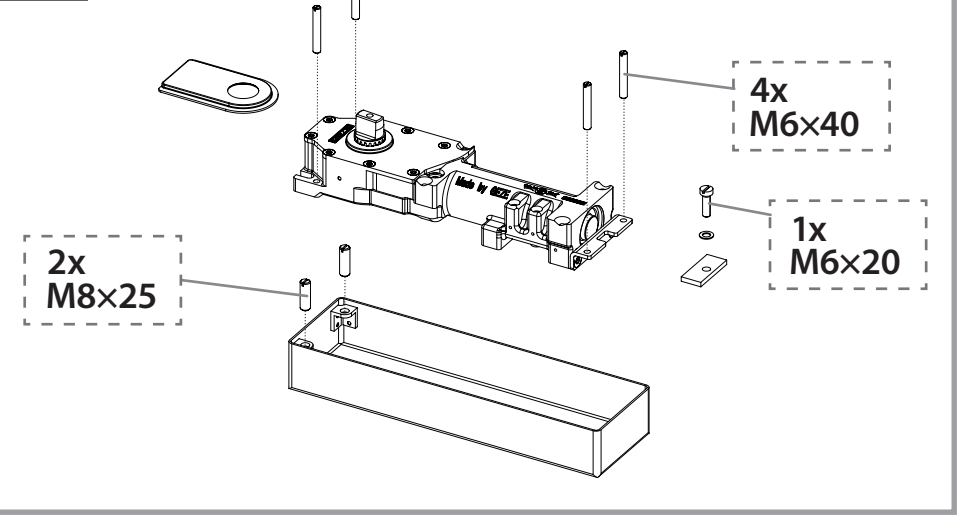
102452-07



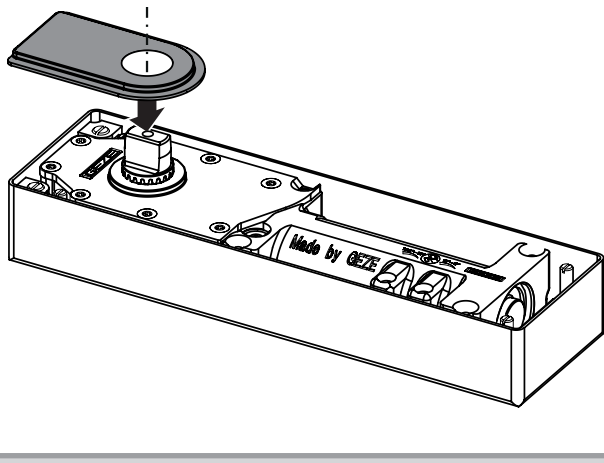
| | | |
|---------------|--------------------------|-----------------------|
| TS 500 NV | $a \leq 1100 \text{ mm}$ | $\leq 150 \text{ kg}$ |
| TS 500 N-EN 3 | $a \leq 950 \text{ mm}$ | $\leq 100 \text{ kg}$ |

| | | | | | | | | | | | | | | | | | | | | |
|---|--|--|----|---------------|--|--|-----------------|---------|-------------|---|-----------|--|----|---------------|--|--|-----------------|---------|-------------|--|
| TS 500 NV | TS 500 N-EN 3 | | | | | | | | | | | | | | | | | | | |
| <table border="1"> <tr> <td>CE</td> <td>GEZE GmbH P.O. Box 1363 71226 Leonberg</td> <td>06</td> </tr> <tr> <td>0672-CPD-0121</td> <td></td> <td></td> </tr> <tr> <td>Substanz: -----</td> <td>EN 1154</td> <td>3 8 4 1 1 4</td> </tr> </table> | CE | GEZE GmbH P.O. Box 1363 71226 Leonberg | 06 | 0672-CPD-0121 | | | Substanz: ----- | EN 1154 | 3 8 4 1 1 4 | <table border="1"> <tr> <td>CE</td> <td>GEZE GmbH P.O. Box 1363 71226 Leonberg</td> <td>06</td> </tr> <tr> <td>0672-CPD-0121</td> <td></td> <td></td> </tr> <tr> <td>Substanz: -----</td> <td>EN 1154</td> <td>3 8 3 1 1 4</td> </tr> </table> | CE | GEZE GmbH P.O. Box 1363 71226 Leonberg | 06 | 0672-CPD-0121 | | | Substanz: ----- | EN 1154 | 3 8 3 1 1 4 | |
| CE | GEZE GmbH P.O. Box 1363 71226 Leonberg | 06 | | | | | | | | | | | | | | | | | | |
| 0672-CPD-0121 | | | | | | | | | | | | | | | | | | | | |
| Substanz: ----- | EN 1154 | 3 8 4 1 1 4 | | | | | | | | | | | | | | | | | | |
| CE | GEZE GmbH P.O. Box 1363 71226 Leonberg | 06 | | | | | | | | | | | | | | | | | | |
| 0672-CPD-0121 | | | | | | | | | | | | | | | | | | | | |
| Substanz: ----- | EN 1154 | 3 8 3 1 1 4 | | | | | | | | | | | | | | | | | | |

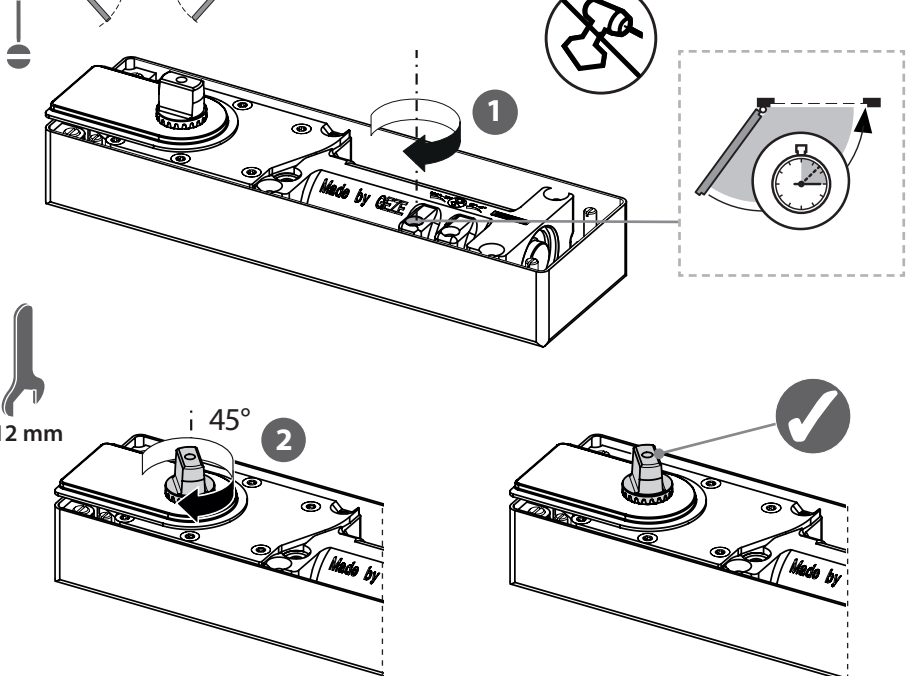
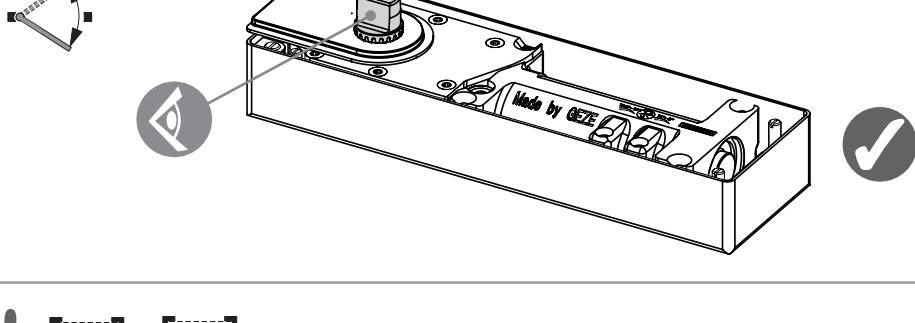
| | | |
|---------------------|----------------------|--|
| TS 500 NV | TS 500 N-EN 3 | |
| EN 1154 3 8 4 0 1 4 | EN 1154 3 8 3 0 1 4 | |



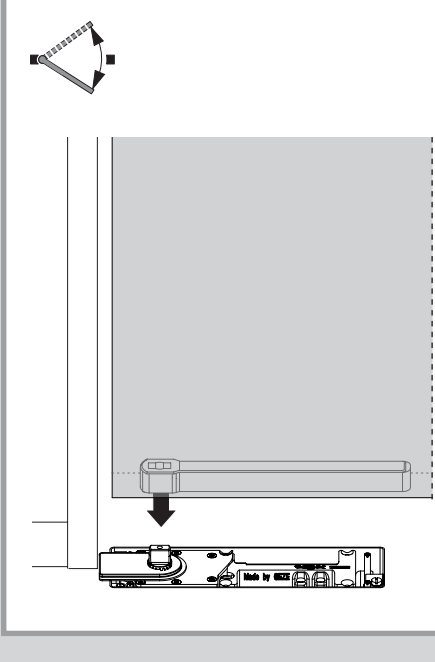
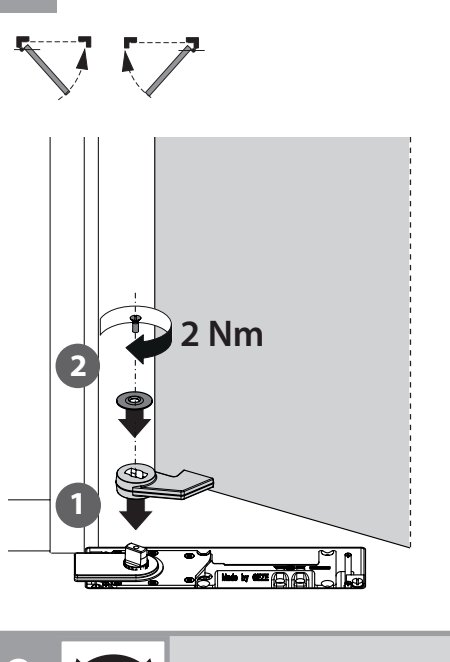
6



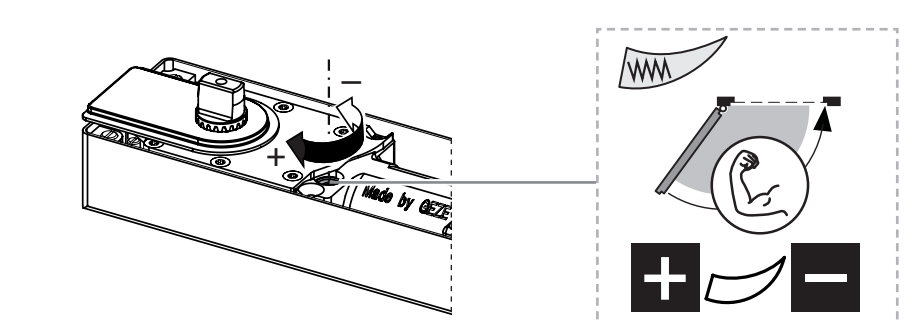
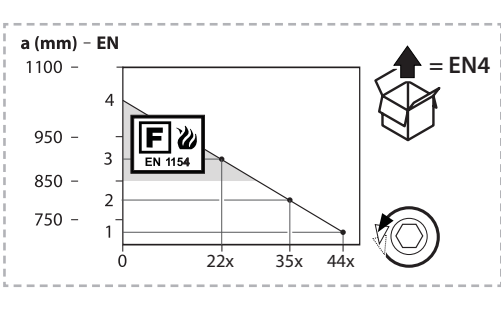
7



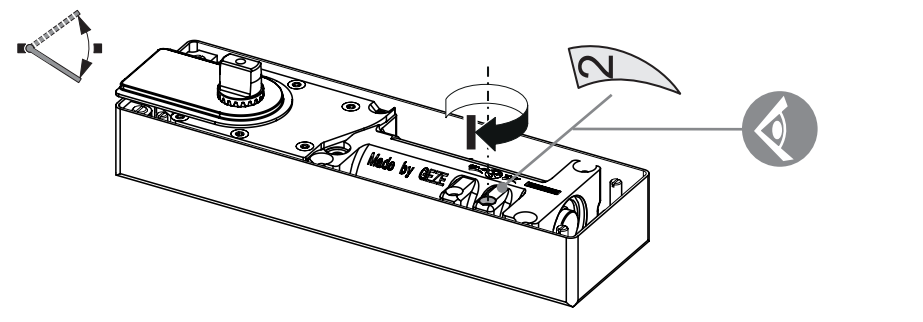
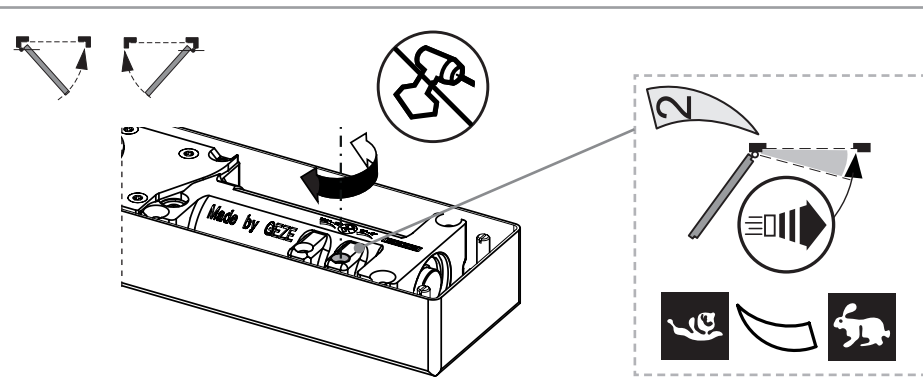
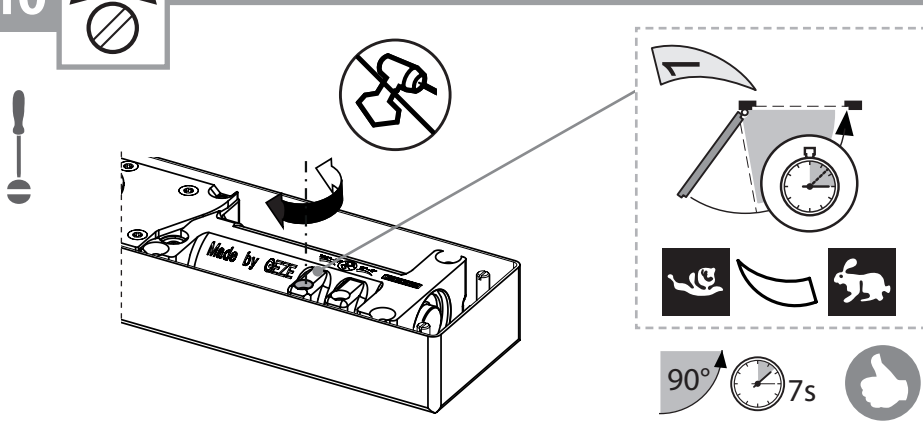
8



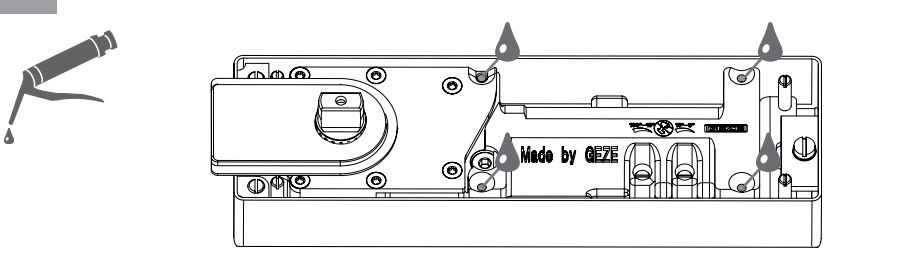
9



10



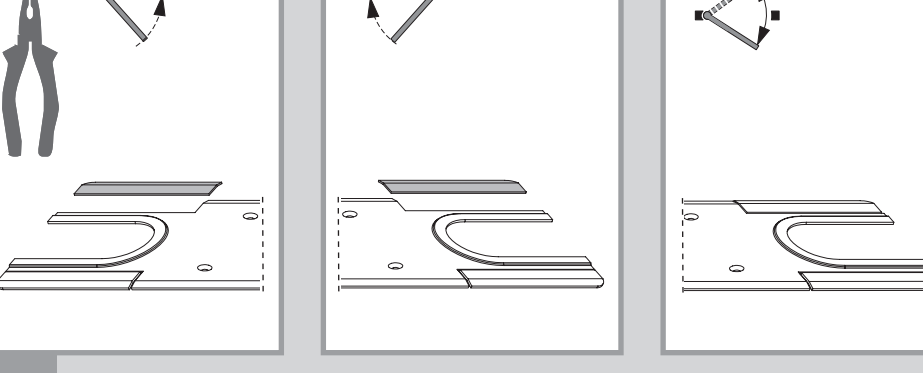
11



12



13



14

